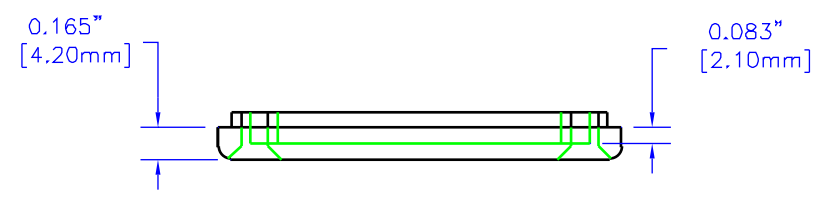
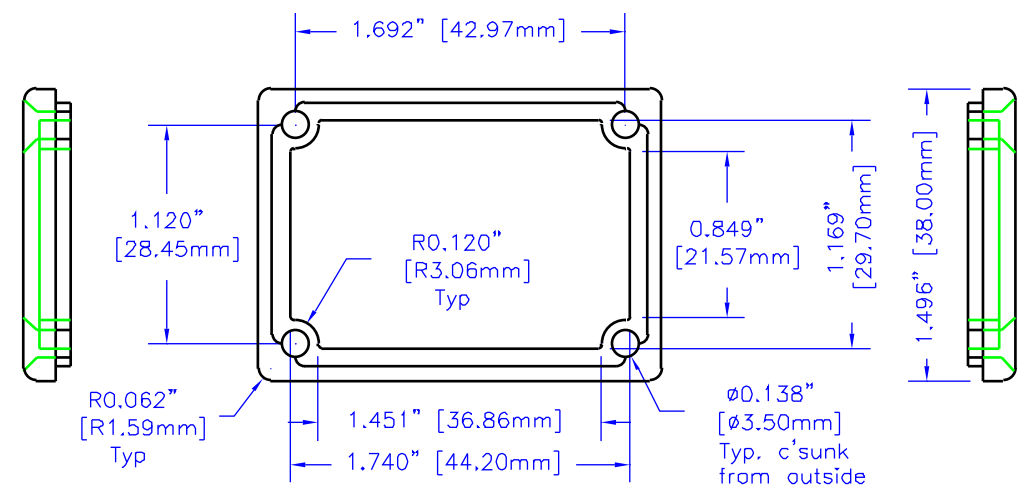
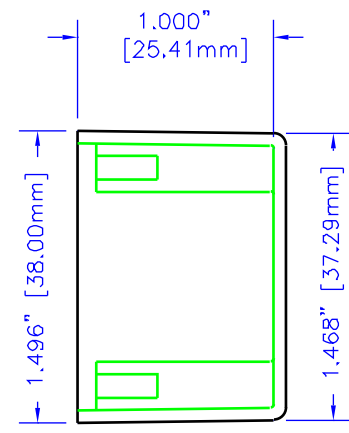
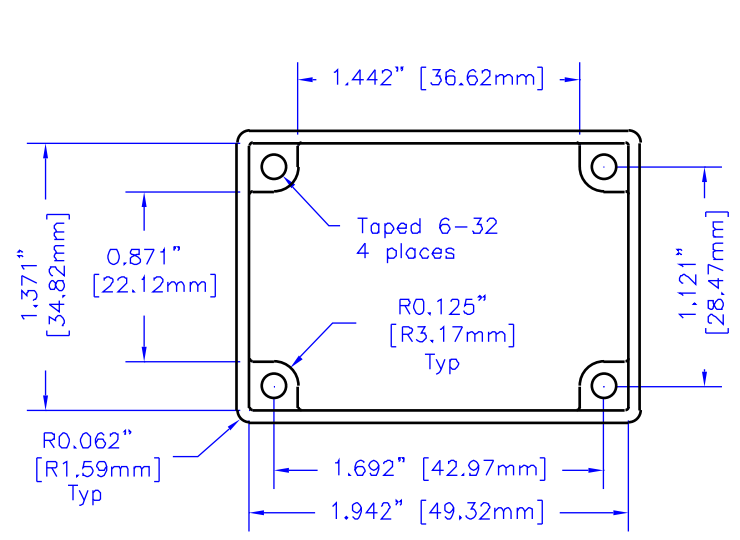
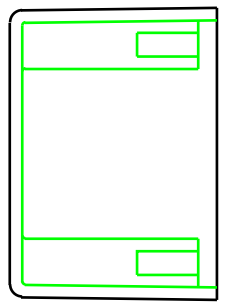
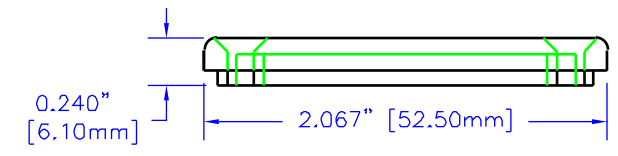
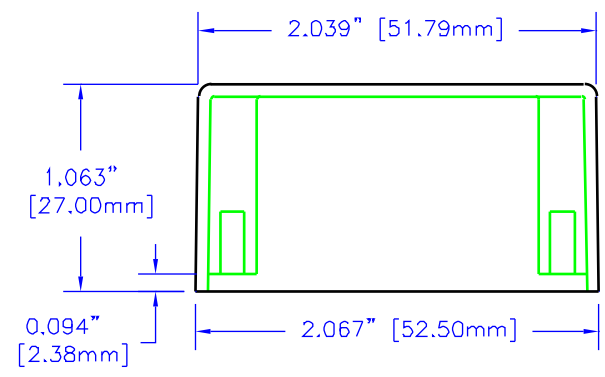


NOTES

Parts: Enclosure base, lid and either 4, 6, or 8 (6-32X0.5") nickel plated machine screws.
 Painted boxes come with color matching screws. Replacement screws are available, see catalog for details.
 Options: Water resistant silicone seal by adding the letter "W" after 1590 in the part number.
 Silicone temperature range (-62 C to 232 C, -80 F to 450 F*)
 Finish: Unfinished (no suffix), Black powder ("BK" suffix), Gray Powder ("GY" suffix)



BOX

LID

For the best fit print on legal size paper.

THIS DRAWING IS PROPRIETARY INFORMATION OF HAMMOND MFG.CO.LTD. NOT TO BE USED WITHOUT EXPRESSED WRITTEN PERMISSION OF HAMMOND MFG.CO.LTD.

Rev	N/A	RELEASE	----	12 31 01	MJM
ECN		Description		Date	By

Unless otherwise spec'd dimensions are in inches Tolerances are:	Dwn	M. MERCER
.X ± .1	Date	12 31 01
.XX ± .06	Chk	---
.XXX ± .030	Mof'l	De-coated Aluminum alloy 413(13)
.XXXX ± .0050	Sheet	1 of 1
Holes ± .0050		
Angles ± .5		

HAMMOND MANUFACTURING CO., LTD. Electronics Group, Waterloo, Ont., - Cheektowago, NY	
HAMMOND 1590 SERIES DIE-CASTED ENCLOSURE	
Part# c1590H	Dwg: 1590HA